



Product Specification

CE/RoHS
Compliant

KDB-14P-4.0A Peizo Buzzer (Active Drive)

■ Product Description

Pin Type is generally meaning through hole mounting style.

KDB series products of piezoelectric active buzzers consist of PZT plate, plastic chamber shell and built-in resonant vibration circuit, driven by DC/AC voltage to produce sound.

■ Features:

*With built-in oscillation circuit.

*Easy operation, plug to use.

*To produce sound directly by external DC power supply.

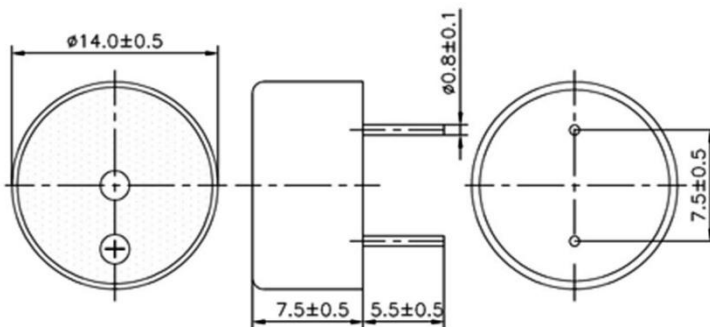
■ Applications:

Fire alarms, burglar alarms, smoke sensors, automobile speed alarms, automobile audio, automation controls and various electronic products.

■ Specifications

No.	Model No.	KDB-14P-4.0A
1	Sound Pressure Level	85dB min. at 12VDC 10cm
2	Resonant Frequency	4.0±0.5kHz
3	Operating Voltage	5.0~15.0VDC
4	Current consumption	10.0mA max. at 12VDC
5	Tone Nature	Continuous
6	Operating Temperature	-20°C ~ +70°C
7	Storage Temperature	-30°C ~ +80°C
8	Case Material	PPO (Black)
9	Weight	0.7g

■ Dimension Drawing (mm)



Address: No. 8, Jingquan Yi Road, Yonghe Economic Zone, of GETDD, Guangzhou, China

TEL: +86 20 8298 1109 FAX: +86 20 8297 6231 P.C: 511356

Https://www.kailitech.net E-mail: market@kailitech.com