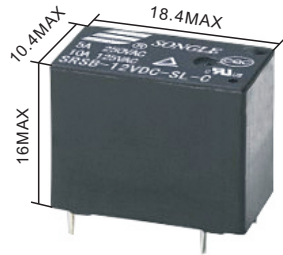


SRSB Series CONVERT SINGLE GROUP TO OPEN RELAY 5A/8A/10A



CQC16002150618

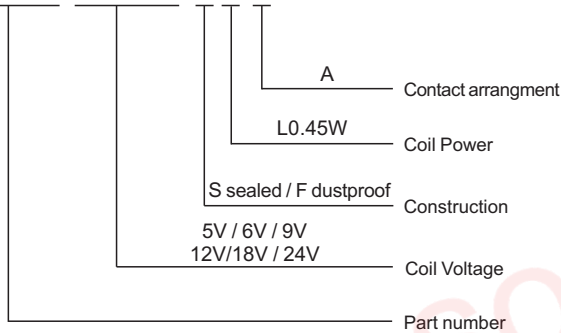


Features

- Miniature volume, PCB usage
- Contact rating:5A/8A/10A
- Meet to strengthen the insulation standard 4000V pressure

Ordering Information

SRSB-12VDC-S L-A



Contact Rating

Contact arrangement	A
Contact resistance	100mΩ (1A 6VDC)
Contact material	Silver alloy: AgCdO、AgSnO ₂ 、AgNi
Contact rating	5A/250VAC 8A/250VAC 10A/125VAC
Max switching voltage	250VAC
Max switching current	10A
Max switching power	1250VA
Electrical endurance (frequency: 1800 ops/h)	1x10 ⁵ Ops / 1x10 ⁴ Ops
Mechanical endurance (frequency: 18000 ops/h)	1x10 ⁷ ops

Characteristics

Insulation system	B / F	
Insulation resistance	100MΩ (500VDC)	
Dielectric Strength	Between contacts and coil	4000VAC 1 minute
	Between open contacts	1000VAC 1 minute
Leakage current 1mA		
Operate time(Under nominal voltage)	≤10ms	
Release time(Under nominal voltage)	≤10ms	
Humidity	85% RH (20°C)	
Ambient Temperature	-40°C~+85°C	
Shock resistance	Functional	98m/s ²
	Destructive	980m/s ²
Vibration resistance (Double amplitude)	10Hz~55Hz 1.5mm	
Weight	Approx 9g	
Construction	Sealed	

Remark:1)All above data is initial value

Coil Data

(at 20°C)

Power dissipation W	Voltage VDC	Current mA	Resistance Ω±10%	Pick-up voltage	Drop-out voltage	Max allowable
0.45W (D)	05	89.3	55	75%Max	10%Min	130%
	06	75	80			
	09	50	180			
	12	37.5	320			
	18	25	720			
	24	18.7	1280			

This product specification only for your reference, we will not notify you if we do any improvement. We reserve all the right for the final explanation





Web: www.songle.com www.songlerelay.com


Add.: CW7, Zone A, Far East Industrial Park, Yuyao City, Zhejiang, China Zip Code: 315400

SRSB Series CONVERT SINGLE GROUP TO OPEN RELAY 5A/8A/10A

Safety Approval Ratings

 CQC16002150618
5A 250VAC

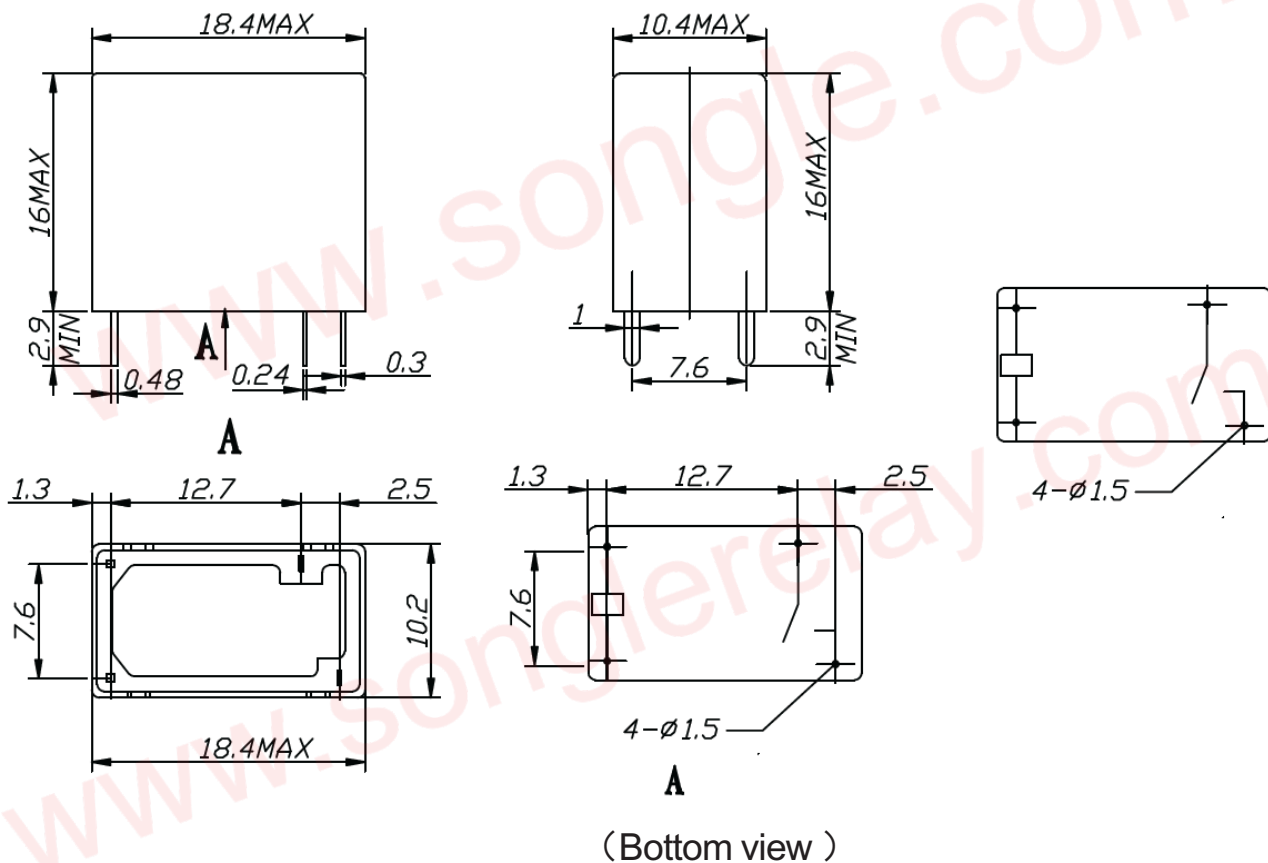
 R50056114
5A 250VAC 3A 250VAC inductive

 US E167996
10A 125VAC

OUTLINE DIMENSIONS ,WIRING DIAGRAM AND PC BOARD LAYOUT Unit:mm

Physical installation diagram

PCB board diagram
(bottom view diagram)



Tolerance: ± 0.1 mm

This product specification only for your reference. we will not notify you if we do any improvement. We reserve all the right for the final explanation



Web: www.songle.com www.songlerelay.com

Add.: CW7, Zone A, Far East Industrial Park, Yuyao City, Zhejiang, China Zip Code: 315400